

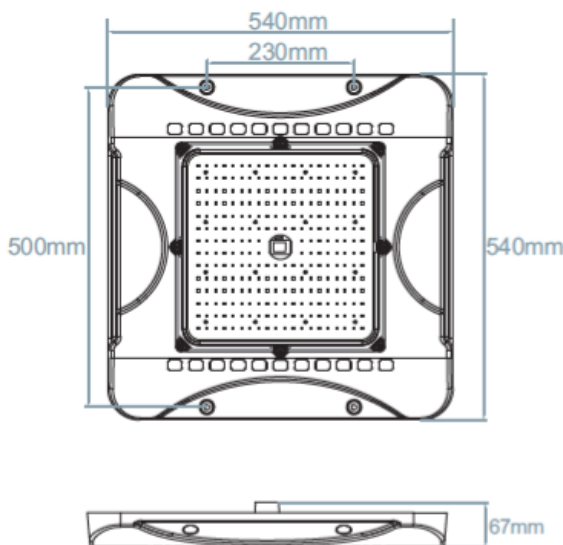
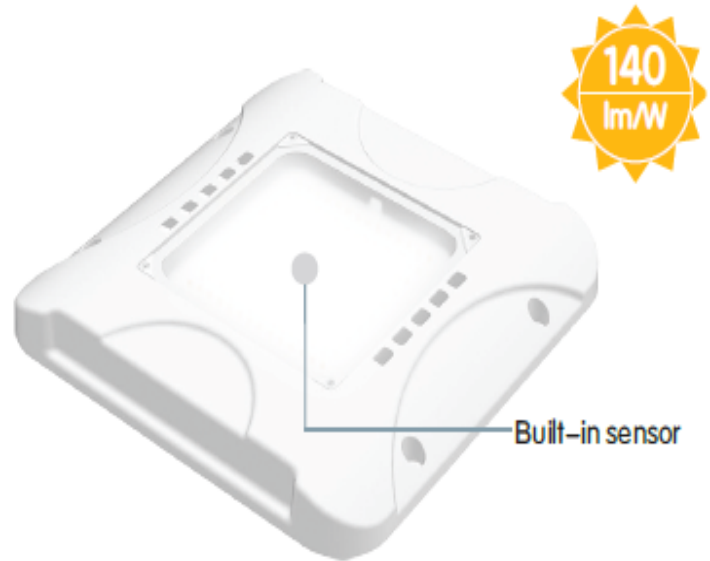
## LED Canopy Light – 240W

Model: RL-C240-A

Surface mount LED canopy lights are suitable for both outdoor and indoor commercial applications such as loading docks, petrol stations, freezers, cool rooms, food processing plants and common areas.

### Product Features

- Only consumes 240w of power
- Aluminium die cast housing
- Daylight & Microwave Motion Sensor
- Long operating life and performance
- 120° Beam Angle
- IP65 Waterproof housing



### SPECIFICATION

|                           |                                    |
|---------------------------|------------------------------------|
| Colour                    | Cool White (5000K)                 |
| Lumen (lm)                | 33,600lm                           |
| LED Efficiency (Lm/w)     | >140lm/w                           |
| Light Source              | SMD LED's                          |
| CRI (%)                   | >80%                               |
| Beam Angle                | 120°                               |
| Power Requirement         | AC 220~240V 50Hz                   |
| Power Consumption         | 240W                               |
| Housing                   | Die Cast Aluminium                 |
| Lifespan                  | > 40,000 hours                     |
| Operation Temperature     | -20°C~+40°C                        |
| Dimension (mm)            | 540 ( L ) × 540 ( W ) × 67 ( D )   |
| Weight                    | 6kg                                |
| Sensor (option by remote) | Daylight & Microwave Motion Sensor |
| Warranty                  | 5 years                            |