

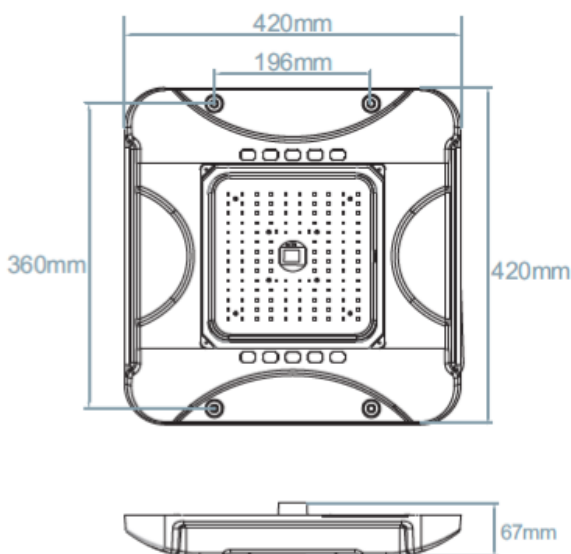
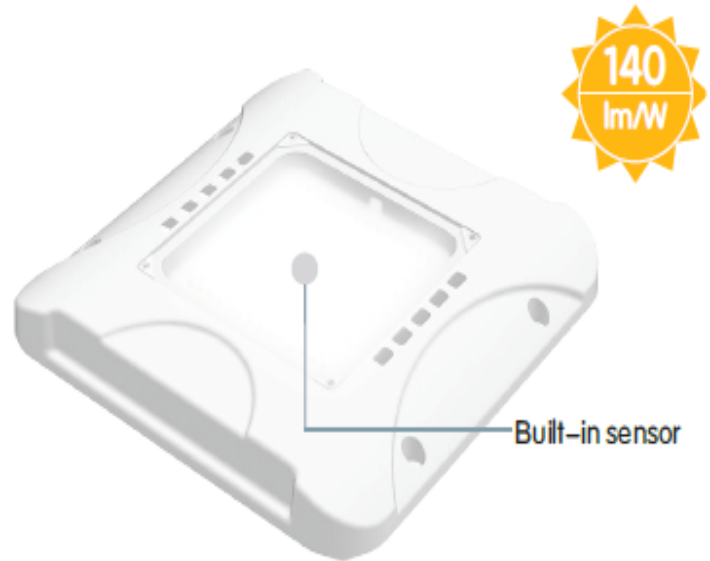
LED Canopy Light – 75W

Model: RL-C75-A

Surface mount LED canopy lights are suitable for both outdoor and indoor commercial applications such as loading docks, petrol stations, freezers, cool rooms, food processing plants and common areas.

Product Features

- Only consumes 75w of power
- Aluminium die cast housing
- Daylight & Microwave Motion Sensor
- Long operating life and performance
- 120° Beam Angle
- IP65 Waterproof housing



SPECIFICATION

Colour	Cool White (5000K)
Lumen (lm)	10,500lm
LED Efficiency (Lm/w)	>140lm/w
Light Source	SMD LED's
CRI (%)	>80%
Beam Angle	120°
Power Requirement	AC 220~240V 50Hz
Power Consumption	75W
Housing	Die Cast Aluminium
Lifespan	> 40,000 hours
Operation Temperature	-20°C~+40°C
Dimension (mm)	420 (L) × 420 (W) × 67 (D)
Weight	4.5kg
Sensor (option by remote)	Daylight & Microwave Motion Sensor
Warranty	5 years