

LED Premium Flood Light – Wattage Select 30/45/60W

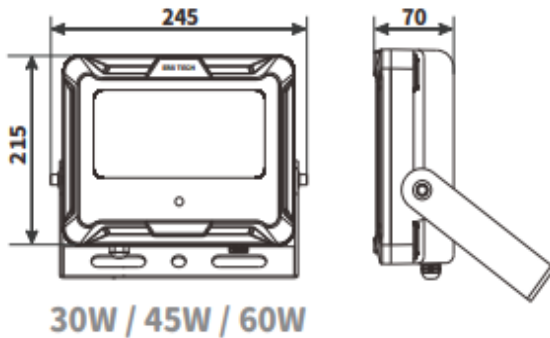
With Built in Sensor - Optional Use - By Remote

Model: RL-PFLWS304560W

LED flood lights are suitable for both outdoor and indoor commercial application such as parking areas, billboards and common areas.

Product Features

- Built In Sensor
- Aluminium die cast housing
- Tempered glass face
- Long operating life and performance
- Wattage Select
- 120° Beam Angle
- IP66 Waterproof housing



SPECIFICATION

Colour	Cool White (5500K)
Lumen (lm)	30W-6600Lm / 45W-9900Lm / 60W -13200Lm
Efficiency (Lm/w)	>220lm/w
Light Source	Lumileds 3030
CRI (%)	>80%
Beam Angle	120°
Power Requirement	AC 220~240V
Power Consumption	Wattage Select 30W-45W-60W
Housing	Die Cast Aluminium and Tempered Glass
Lifespan	> 40,000 hours
Operation Temperature	-20°C~+40°C
Dimension (mm)	245 × 215 x 70
Sensor (option)	Daylight & Microwave Motion Sensor
Protection Rating	IP66
Warranty	5 years