

LED Premium Flood Light – Wattage Select 80/100/120W

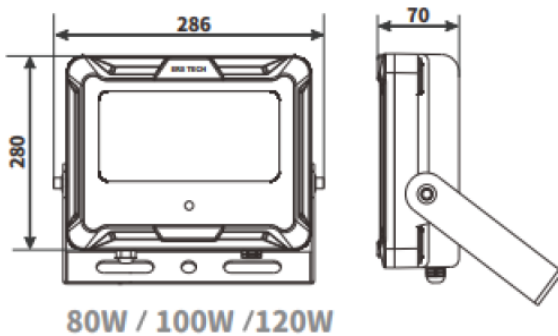
With Built in Sensor - Optional Use - By Remote

Model: RL-PFLWS80100120W

LED flood lights are suitable for both outdoor and indoor commercial application such as parking areas, billboards and common areas.

Product Features

- Built In Sensor
- Aluminium die cast housing
- Tempered glass face
- Long operating life and performance
- Wattage Select
- 120° Beam Angle
- IP66 Waterproof housing



| SPECIFICATION | |
|-----------------------|---|
| Colour | Cool White (5500K) |
| Lumen (lm) | 80W-17,600Lm / 100W-22,000Lm / 120W -206,40Lm |
| Efficiency (Lm/w) | >220lm/w |
| Light Source | Lumileds 3030 |
| CRI (%) | >80% |
| Beam Angle | 120° |
| Power Requirement | AC 220~240V |
| Power Consumption | Wattage Select 80W-100W-120W |
| Housing | Die Cast Aluminium and Tempered Glass |
| Lifespan | > 40,000 hours |
| Operation Temperature | -20°C~+40°C |
| Dimension (mm) | 286 × 280 x 70 |
| Sensor (option) | Daylight & Microwave Motion Sensor |
| Protection Rating | IP66 |
| Warranty | 5 years |