

MultiFit LED Street Light – 150W

Model: RL-SL150W-2C



LED Street / Carpark lights are suitable for car parks, street lighting, lane ways, parks or anywhere external lighting is required. Our MultiFit Street Light is designed to fit either pole top mounting or spigot mounting all in the one product.



Product Features

- 2 Colour Adjustable (4000K/5000K)
- PE Cell Compatible
- Supports pole top ($90^{\circ} \pm 15^{\circ}$) or spigot mounting ($0^{\circ} \pm 15^{\circ}$)
- IK08 impact rating
- 10KV Surge Protector



Options:



PE Cell
(Model: SLM-PE)



Mounting Poles



Ø32-40mm Spigot Replacement
(Model: SLM-SPIGOT-40)



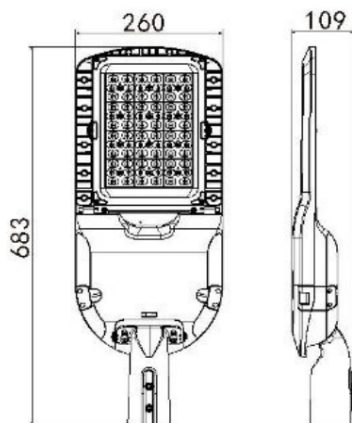
Outreach or Spigot Adaptors



Spigot mounting



Pole top mounting



SPECIFICATION

Colour Temp (2CCT)	4000K or 5000K
Lumen (lm)	18976lm(4000k) or 17032lm(5000k)
Efficiency (Lm/w)	>128Lm/w(4000k) or >115lm/w(5000k)
Light Source	LED
Beam Angle	150° / 80°
Power Requirement	AC 90~305VAC
Power Consumption	148.3W
Housing	Aluminium with tempered glass Glass
Lifespan	> 40,000 hours
Operation Temperature	-30°C~+40°C
Dimension (mm)	Spigot Mount: 683 (L) x 260 (W) x 109 (H)
Fits Spigot Size	Ø50 ~ Ø60mm
Protection Rating	IP65
Weight	5.9kg
Warranty	5 years