

MultiFit LED Street Light – 30w/60w - Watt Select

Model: RL-SL30W/60W-2C

LED Street lights are suitable for car parks, street lighting, lane ways, parks or anywhere external lighting is required. Our MultiFit Street Light is designed to fit either pole top mounting or spigot mounting all in the one product.

Product Features

1. 30w or 60w selectable
2. 2 Colour Adjustable (4000K/5000K)
3. Black or Silver Housing
4. Fits 50~60mm spigot size
5. Quality Driver
6. Full range power input 90~305VAC
7. 10KV surge protector
8. Supports pole top (90° ±15°) or spigot mounting (0° ±15°)
9. 150/80° Beam Angle
10. IP65 Housing
11. IK08 Impact Rating
12. Weight 4.8kg



Spigot mounting



Pole top mounting



COLOUR SELECT



WATT SELECT

Options:



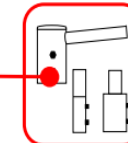
PE Cell
(n/a in -N model)



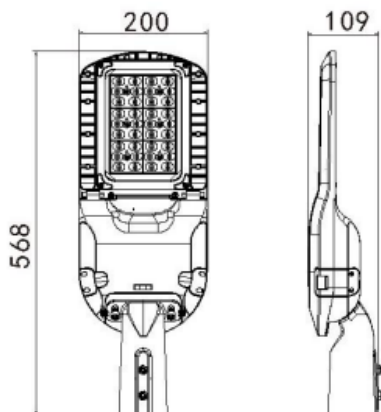
Mounting Poles



Ø36-40mm Spigot Replacement



Outreach or Spigot Adaptors



SPECIFICATION

Colour Temp (2CCT)	4000K or 5000K (selectable)
Lumen (lm) 4000K	4361lm(30w) or 6662lm(60w)
Lumens (lm) 5000K	3944lm(30w) or 6725lm(60w)
Light Source	LED
Beam Angle	150° / 80°
Power Requirement	AC 90~305VAC
Power Consumption	30w / 60w (selectable)
Housing	Aluminium with tempered glass diffuser
Lifespan	> 40,000 hours
Operation Temperature	-30°C~+40°C
Dimension (mm)	Spigot Mount: 568 (L) x 200 (W) x 109 (H)
Fits Spigot Size	Ø50 ~ Ø60mm
Protection Rating	IP65
Weight	4.8kg
Warranty	5 years